

Type 1+2 combined lightning current and surge arrester - FLT-BK 350/3+1-FM

2906389

<https://www.phoenixcontact.com/in/products/2906389>

Please be informed that the data shown in this PDF document is generated from our Online Catalog. Please find the complete data in the user documentation. Our General Terms of Use for Downloads are valid.



Pluggable lightning current arrester, in acc. with type 1/class I/B for 3-phase power supply networks with combined PE and N (L1, L2, L3, PE, N).

Type 1+2 combined lightning current and surge arrester - FLT-BK 350/3+1-FM



2906389

<https://www.phoenixcontact.com/in/products/2906389>

Commercial Data

Item number	2906389
Packing unit	1 pc
Minimum order quantity	49 pc
Sales Key	CL1
Product Key	CL1115
GTIN	4055626070094
Weight per Piece (including packing)	1,582.4 g
Weight per Piece (excluding packing)	1,394.7 g
Customs tariff number	85363010
Country of origin	IN

Type 1+2 combined lightning current and surge arrester - FLT-BK 350/3+1-FM



2906389

<https://www.phoenixcontact.com/in/products/2906389>

Technical Data

Product properties

IEC test classification	I + II
	T1 + T2
EN type	T1 + T2
Type	DIN rail module, two-section, divisible
Number of positions	4

Insulation characteristics

Overvoltage category	III
Pollution degree	2

Electrical properties

Nominal frequency f_N	50 Hz (60 Hz)
-------------------------	---------------

Indicator/remote signaling

Connection name	Remote fault indicator contact
Switching function	Changeover contact
Operating voltage	12 V AC ... 250 V AC
	125 V DC (200 mA DC)
Operating current	10 mA AC ... 1 A AC
	1 A AC (30 V DC)

Connection data

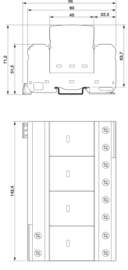
Connection method	Screw terminal blocks
Screw thread	M5
Tightening torque	4.5 Nm
Stripping length	18 mm
Conductor cross section flexible	2.5 mm ² ... 25 mm ²
Conductor cross section solid	2.5 mm ² ... 35 mm ²
Conductor cross section AWG	13 ... 2
Connection method	Fork-type cable lug
Conductor cross section flexible	1.5 mm ² ... 16 mm ²

Dimensions

Type 1+2 combined lightning current and surge arrester - FLT-BK 350/3+1-FM

2906389

<https://www.phoenixcontact.com/in/products/2906389>

Dimensional drawing	
Width	142.4 mm
Height	95 mm
Depth	71.2 mm (incl. DIN rail 7.5 mm)
Horizontal pitch	8 Div.

Material specifications

Color	jet black RAL 9005
Flammability rating according to UL 94	V-0
CTI value of material	600
Insulating material	PA 6.6/PBT
Material group	I
Housing material	PBT

Mechanical properties

Mechanical data

Open side panel	No
-----------------	----

Protective circuit

Mode of protection	L-N
	L-PE
	N-PE
Nominal voltage U_N	240/415 V AC (TN-S)
	240/415 V AC (TT)
Nominal frequency f_N	50 Hz (60 Hz)
Maximum continuous voltage U_C	350 V AC
Rated load current I_L	125 A (< 55 °C)
Residual current I_{PE}	≤ 0.01 mA
Nominal discharge current I_n (8/20) μs (L-N)	25 kA
Nominal discharge current I_n (8/20) μs (L-PE)	25 kA
Nominal discharge current I_n (8/20) μs (N-PE)	100 kA
Maximum discharge current I_{max} (8/20) μs (L-N)	50 kA
Maximum discharge current I_{max} (8/20) μs (L-PE)	50 kA
Impulse discharge current (10/350) μs (L-N), charge	12.5 As
Impulse discharge current (10/350) μs (L-N), specific energy	160 kJ/Ω

Type 1+2 combined lightning current and surge arrester - FLT-BK 350/3+1-FM



2906389

<https://www.phoenixcontact.com/in/products/2906389>

Impulse discharge current (10/350) μs (L-N), peak current value I_{imp}	25 kA
Impulse discharge current (10/350) μs (L-PE), charge	12.5 As
Impulse discharge current (10/350) μs (L-PE), specific energy	160 kJ/ Ω
Impulse discharge current (10/350) μs (L-PE), peak current value I_{imp}	25 kA
Impulse discharge current (10/350) μs (N-PE), charge	50 As
Impulse discharge current (10/350) μs (N-PE), specific energy	2500 kJ/ Ω
Impulse discharge current (10/350) μs (N-PE), peak current value I_{imp}	100 kA
Total discharge current I_{total} (10/350) μs	100 kA
Follow current quenching capacity I_{fi} (L-N)	25 kA
Follow current interrupt rating I_{fi} (N-PE)	100 A
Short-circuit current rating I_{SCCR}	25 kA
Voltage protection level U_{p} (L-N)	≤ 1.5 kV
Voltage protection level U_{p} (L-PE)	≤ 2.5 kV
Voltage protection level U_{p} (N-PE)	≤ 1.5 kV
Residual voltage U_{res} (L-N)	≤ 1.5 kV (at I_{n})
Residual voltage U_{res} (L-PE)	≤ 2.5 kV (at I_{n})
Residual voltage U_{res} (N-PE)	≤ 1.5 kV (at I_{n})
TOV behavior at U_{T} (L-N)	415 V AC (5 s / withstand mode) 440 V AC (120 min / withstand mode) 485 V AC (10 h / withstand mode)
TOV behavior at U_{T} (N-PE)	1200 V AC (200 ms / withstand mode)
Response time t_{A}	≤ 100 ns
Max. backup fuse with V-type through wiring	125 A (gG)
Max. backup fuse with branch wiring	315 A (gG)

Additional technical data

Short-circuit current rating I_{SCCR}	50 kA
Follow current quenching capacity I_{fi} (L-N)	50 kA

Environmental and real-life conditions

Ambient conditions

Degree of protection	IP20 (only when all terminal points are used)
Ambient temperature (operation)	-40 °C ... 80 °C
Ambient temperature (storage/transport)	-40 °C ... 80 °C
Altitude	≤ 2000 m (amsl (above mean sea level))
Permissible humidity (operation)	5 % ... 95 %
Shock (operation)	25g (Half-sine / 11 ms / 3x $\pm X$, $\pm Y$, $\pm Z$)
Vibration (operation)	5g (5 - 500 Hz/2.5 h/X, Y, Z)

Approval data

Type 1+2 combined lightning current and surge arrester - FLT-BK 350/3+1-FM



2906389

<https://www.phoenixcontact.com/in/products/2906389>

UL specifications

Maximum continuous operating voltage MCOV (L-L)	700 V AC
Maximum continuous operating voltage MCOV (L-N)	350 V AC
Maximum continuous operating voltage MCOV (L-G)	350 V AC
Maximum continuous operating voltage MCOV (N-G)	350 V AC
Short-circuit current rating (SCCR)	50 kA
Voltage protection rating VPR (L-L)	2000 V
Voltage protection rating VPR (L-N)	1500 V
Voltage protection rating VPR (L-G)	1500 V
Voltage protection rating VPR (N-G)	1200 V
Nominal discharge current I_n	20 kA
Mode of protection	L-L
	L-N
	L-G
	N-G
Nominal voltage	240/415 V AC
Rated load current I_L	50 A
Power distribution system	Wye
Nominal frequency	50/60 Hz
SPD Type	2CA

UL indicator/remote signaling

AC operating voltage	125 V AC
AC operating current	1 A AC

UL connection data

Tightening torque	40 lb _F -in.
Conductor cross section AWG	3 ... 2

Standards and regulations

Standards/specifications	IEC 61643-11
Standards/specifications	EN 61643-11

Mounting

Mounting type	DIN rail: 35 mm
---------------	-----------------

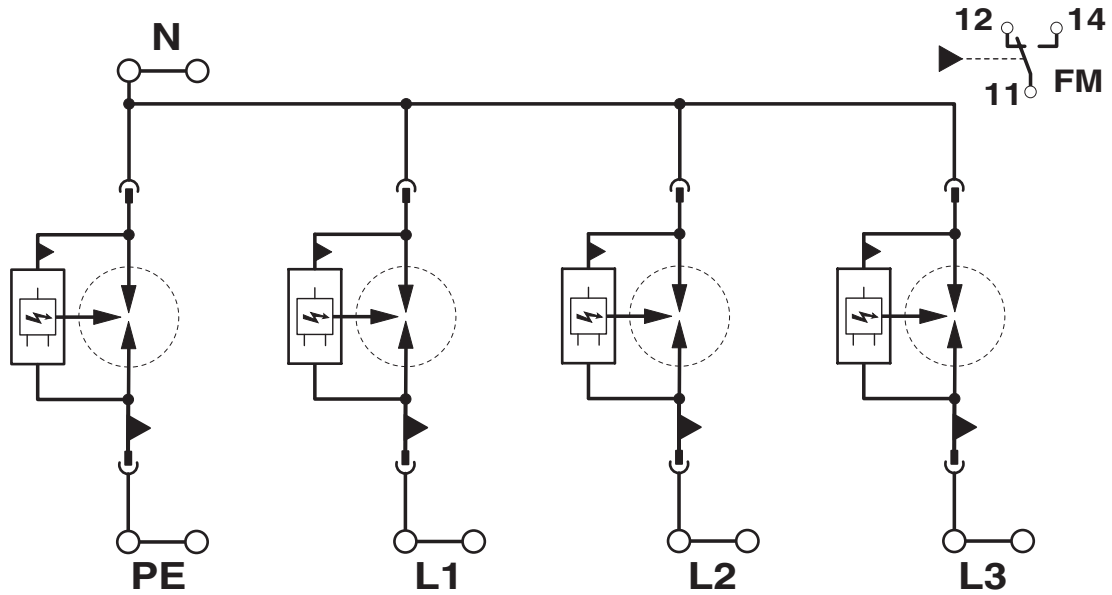
Type 1+2 combined lightning current and surge arrester - FLT-BK 350/3+1-FM

2906389

<https://www.phoenixcontact.com/in/products/2906389>

Drawings

Circuit diagram



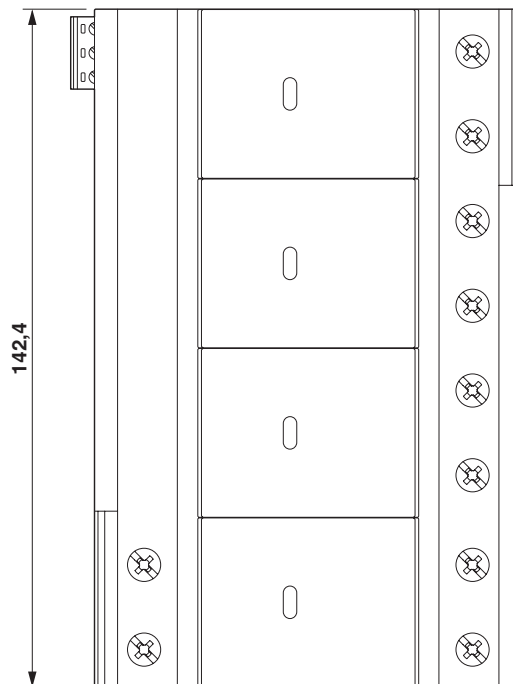
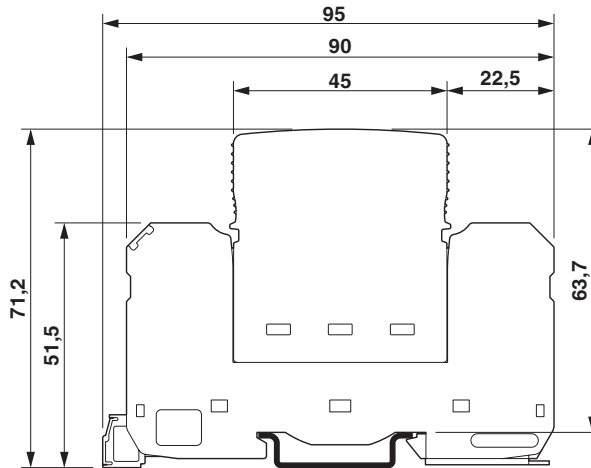
Type 1+2 combined lightning current and surge arrester - FLT-BK 350/3+1-FM



2906389

<https://www.phoenixcontact.com/in/products/2906389>

Dimensional drawing



Phoenix Contact 2022 © - all rights reserved
<https://www.phoenixcontact.com>

PHOENIX CONTACT (I) Pvt. Ltd.
A-58/2, Okhla Industrial Area, Phase - II, New Delhi-110 020

+91.1275.71420
info@phoenixcontact.co.in